

SPECIFICATIONS

ADONIS™ SINGLE HANDLE KITCHEN FAUCET

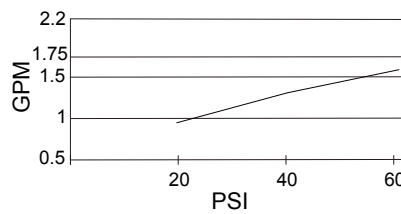
Model

DH400277

Description

- Ceramic disc valve
- 5 1/4" high swivel spout, 8 7/8" spout length
- Joystick style handle
- Spout swivel 360 degree
- Spout head adjustable side ways 60 degree radius
- Single hole mount
- 1.75gpm (6.6L/min) maximum flow rate @60 psi

Flow Rate



Standards



NSF/ANSI 372

- NSF/ANSI 372

MEETS ASME A112.18.1M/A112.18.1

- ASME A112.18.1M/A112.18.1



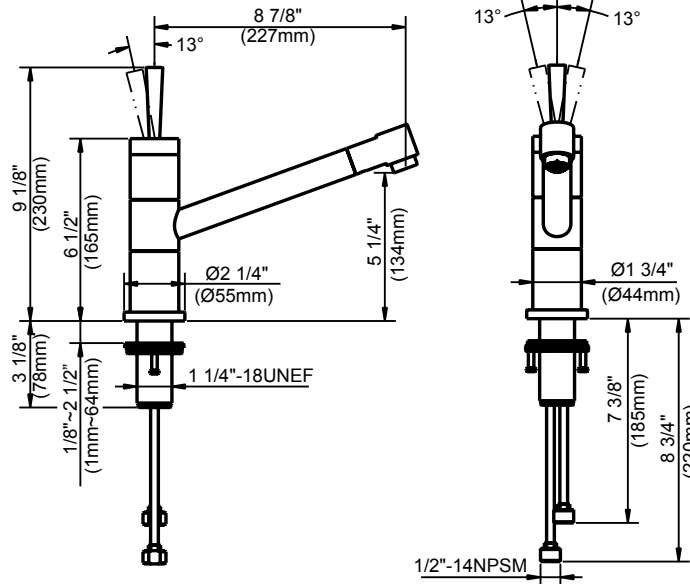
- ADA Accessibility Guidelines for Buildings and Facilities - 309.4 Operation for Operable Parts

Warranty

Danze products are covered by a manufacturer's limited "lifetime" warranty for manufacturing defects.

Finishes Available

- Chrome
- Other: Refer to Price List for additional finish



Submittal Information:

Job Name: _____

Location: _____

Contractor: _____

Contact #: _____